

# ENELTEC<sup>®</sup>

brighten your ideas

## COB LED Tunnel Lights



## Features

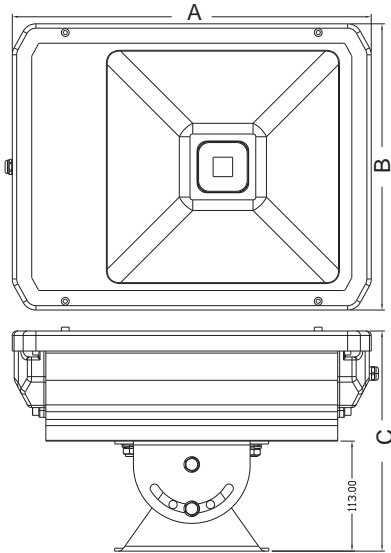
This product use durable LED as light source , long life span which is up to 50,000 hours; Energy saving is 80% more than high voltage sodium lamp; Downy light, no glare, no flash,no start delay, low temperature; Lamp shade won't turn to be aged and yellow; High impact and shock resistance, environment protecting; IP65, can work stably in a variety of environments.



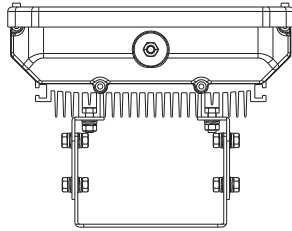
# Data

Model No.	ENTL-60W-01(MW)	ENTL-80W-01(MW)	ENTL-100W-01(MW)	ENTL-100W-02(MW)	ENTL-120W-02(MW)	ENTL-140W-02(MW)	ENTL-120W-03(MW)	ENTL-150W-03(MW)	ENTL-160W-04(MW)	ENTL-200W-04(MW)
Input Voltage	100-240VAC									
Frequency	50-60Hz									
Power Factor	MEANWELL Driver >0.95 / CE Driver >0.9									
Power Efficiency	>88%	>88%	>88%	>90%	>90%	>90%	>90%	>90%	>90%	>92%
Power (W)	60	80	100	100	120	140	120	150	160	200
Lumen (LM)	6900	9200	11500	11500	13800	16100	13800	17250	18400	23000
LED Model	EPILEDs 45*45mil, BRIDGELUX 45*45mil (MW Models)									
LED Quantity	1 PC 60W	1 PC 80W	1 PC 100W	2 PCS 50W	2 PCS 60W	2 PCS 70W	3 PCS 40W	3 PCS 50W	4 PCS 40W	4 PCS 50W
Luminous Efficiency	105-115lm/W									
CRI	Ra>72									
Beam Angle	60°/120°									
Color Temperature	2800-3300K / 4000-4500K / 5500-6000K									
IP Grade	IP65									
Light Degradation	< 5% in 20,000 hours									
Working Temperature	-25℃~+55℃									
Storage Temperature	-25℃~+65℃									
Packing Dimension (mm)	1PC 430x365x255			1PC 650x365x280			1PC 790x390x260		1PC 1000x370x270	
NW / GW (Kgs)	1PC 7.5/8.8			1PC 10.7/12.2			1PC 14.6/16.8		1PC 16.8/18.4	

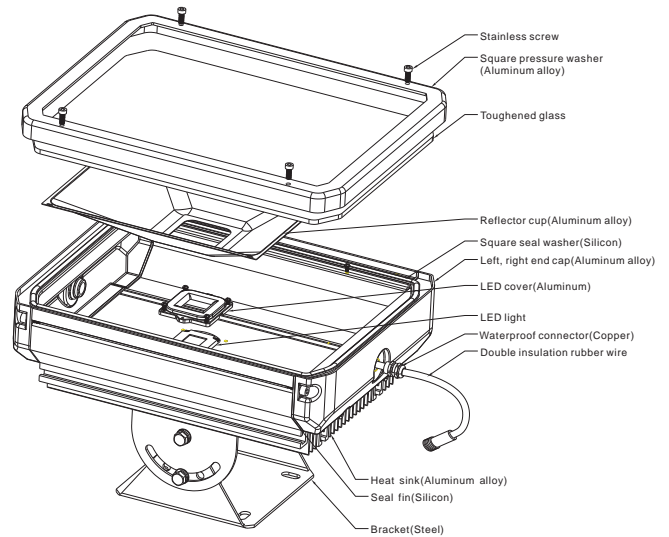
## Dimensions (Unit: mm)



Model No.	Product Dimension (mm)		
	A	B	C
ENTL-60W-01(MW)	360	290	215
ENTL-80W-01(MW)	360	290	215
ENTL-100W-01(MW)	360	290	215
ENTL-100W-02(MW)	600	290	215
ENTL-120W-02(MW)	600	290	215
ENTL-140W-02(MW)	600	290	215
ENTL-120W-03(MW)	925	290	220
ENTL-150W-03(MW)	925	290	220
ENTL-160W-04(MW)	935	450	195
ENTL-200W-04(MW)	935	450	195

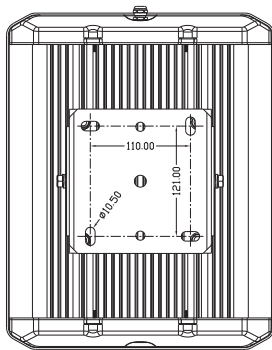


## Structure

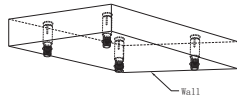


## Installation Steps

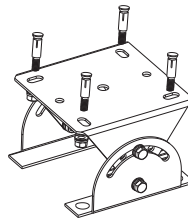
1. Drill 4 holes (10mm for each) . Distance between holes is as drawing as follow.
2. Put the screws into the holes.
3. Fix the bracket onto the mounting surface.
4. Tighten the screw. Adjust the light to the right angle.



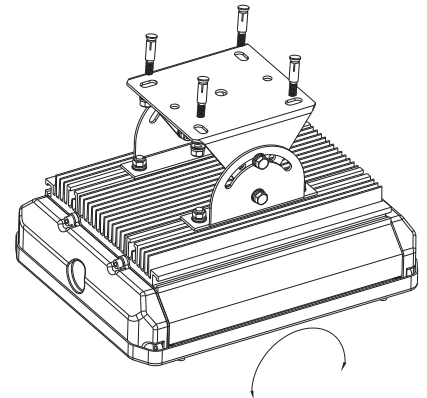
(1)



(2)



(3)



(4)

## Installation information

1. First organize all the parts and accessories of light.
2. Must cut off power before installation.
3. Make sure the light is fixed tightly on the installation surface. (Following the installation steps as above)
4. Connect the light power line with power supply and then power on the light.

## Warnings

1. This product must be installed by professionals.
2. If there is any damage on power line or shell, it should be taken as defective product and should not be used.
3. This product is high voltage, and non-professionals are not allowed to install, disassemble the product or connect the wires of it .