

COB LED High Bay Lights



45°



90°



120°

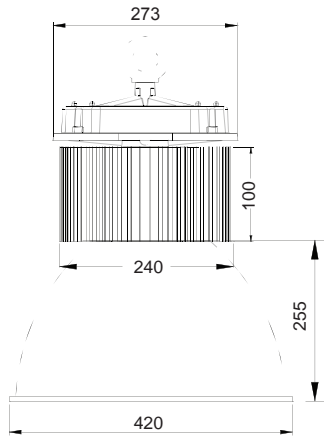


Specifications:

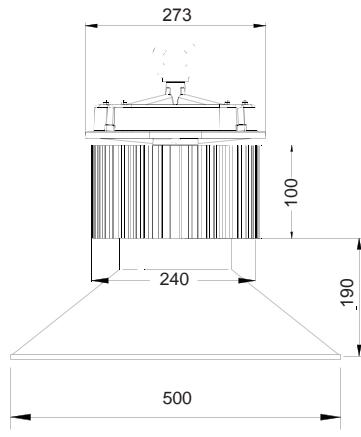
- Power: 30W-250W
- Beam Angle: 45°/90°/120°
- Voltage: 100-240VAC
- Power Factor: >0.95
- Color: 2800-3300K / 4000-4500K / 5500-6000K
- Operating temperature: -40 to + 45°C
- Material: Aluminium Alloy Extruded Shape
- Light Degradation: < 5% in 20,000 hours
- Warranty: 3 years



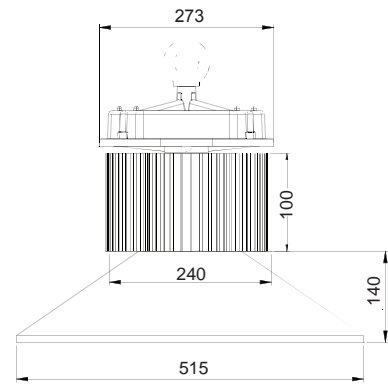
● Dimension:



45°

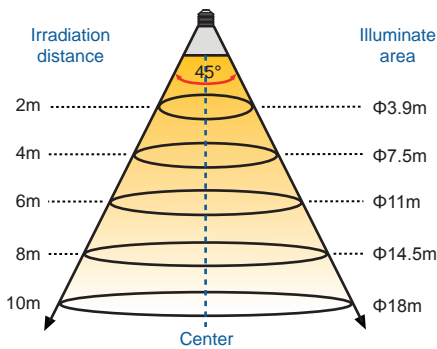


90°

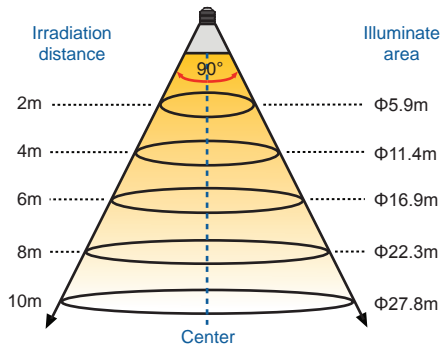


120° Unit: mm

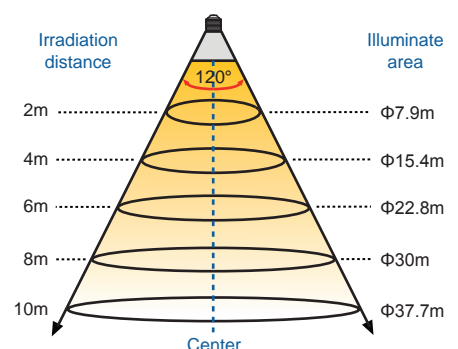
● Illumination Distance / Area:



45°



90°



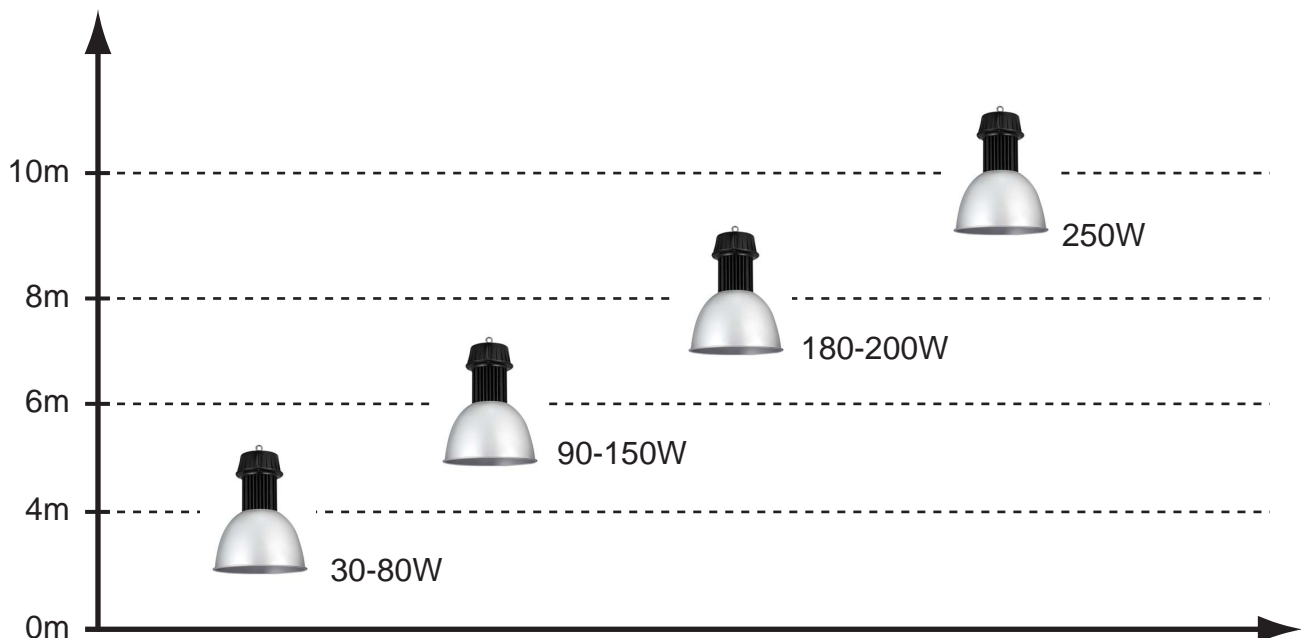
120°

Irradiation distance (m)	Model	ENHB-30W-02						ENHB-50W-02						ENHB-80W-02					
		45°		90°		120°		45°		90°		120°		45°		90°		120°	
		Avg	Max	Avg	Max	Avg	Max	Avg	Max	Avg	Max	Avg	Max	Avg	Max	Avg	Max	Avg	Max
2	Lux	247	792	212	973	172	312	348	1361	287	741	259	476	486	2052	394	771	368	684
4		57	197	99	156	41	76	85	340	87	156	64	118	122	513	99	193	92	171
6		26	89	44	68	21	35	38	152	39	69	30	53	54	228	44	86	41	76
8		18	52	23	41	12	19	23	86	21	40	17	30	30	128	25	48	23	43
10		12	33	16	25	6	13	15	55	14	25	10	19	19	82	16	31	15	27
Irradiation distance (m)	Model	ENHB-100W-02				ENHB-120W-02				ENHB-150W-02									
		45°		90°		120°		45°		90°		120°		45°		90°		120°	
		Avg	Max	Avg	Max	Avg	Max	Avg	Max	Avg	Max	Avg	Max	Avg	Max	Avg	Max	Avg	Max
2	Lux	561	2297	459	1295	413	772	663	2080	550	1081	493	949	765	1863	641	867	573	1126
4		140	574	147	267	103	193	166	520	137	270	123	237	192	466	127	273	143	281
6		62	255	65	119	46	86	74	231	61	120	55	106	86	207	57	121	64	126
8		35	144	37	67	26	48	41	130	34	68	31	59	47	116	31	69	36	70
10		22	92	24	43	17	31	27	83	22	43	20	38	32	74	20	43	23	45
Irradiation distance (m)	Model	ENHB-180W-02				ENHB-200W-02				ENHB-250W-02									
		45°		90°		120°		45°		90°		120°		45°		90°		120°	
		Avg	Max	Avg	Max	Avg	Max	Avg	Max	Avg	Max	Avg	Max	Avg	Max	Avg	Max	Avg	Max
2	Lux	867	1646	732	653	653	1303	969	1429	823	439	733	1480	1071	1212	914	225	813	1657
4		218	412	117	276	163	325	244	358	107	279	183	369	270	304	97	282	203	413
6		98	183	53	122	73	146	110	159	49	123	82	166	122	135	45	124	91	186
8		53	102	28	70	41	81	59	88	25	71	46	92	65	74	22	72	51	103
10		37	65	18	43	26	52	42	56	16	43	29	59	47	47	14	43	32	66

● LED VS Metal Halide Replacement

	
LED High Bay Light	Metal Halide High Bay Light
30-80W	150W
90-150W	250W
180-200W	400W
250W	600W

● Installation Guideline



Remarks

All the data above is for reference only, if you need accurate Dialux report, please contact our sales team for free design services.

Parameters:

Model No.	ENHB-30W-02	ENHB-50W-02	ENHB-80W-02	ENHB-100W-02	ENHB-120W-02	ENHB-150W-02	ENHB-180W-02	ENHB-200W-02	ENHB-250W-02	ENHB-30W-02MW	ENHB-50W-02MW	ENHB-80W-02MW	ENHB-100W-02MW	ENHB-120W-02MW	ENHB-150W-02MW	ENHB-180W-02MW	ENHB-200W-02MW	ENHB-250W-02MW
Input Voltage	100-240VAC																	
Frequency	50-60Hz																	
Power Factor	>0.95																	
Power Efficiency	>91%																	
LED Working Voltage	DC30~33V																	
LED Power (W)	30	50	80	100	120	150	180	200	250	30	50	80	100	120	150	180	200	250
Total Power (W)	35	57	88	108	130	161	194	216	270	35	57	88	108	130	161	194	216	270
Lumen (LM)	3450	5750	9200	11500	13800	17250	20700	23000	28750	3450	5750	9200	11500	13800	17250	20700	23000	28750
Luminous Efficiency	115lm/W																	
LED	EPILEDS 45*45mil									BRIDGELUX 45*45mil								
LED Driver	CE Driver									MEANWELL								
CRI	Ra>80																	
Beam Angle	45°/90°/120°																	
Color Temperature	2800-3300K / 4000-4500K / 5500-6000K																	
Working Temperature	Temperature: -40℃~45℃																	
IP Grade	IP65																	

Packing:

Model		ENHB-02
Packing Dimension (mm)	Lamp Body 45°: 8PCS	430x430x380
	Lamp Body 90°: 10PCS	545x545x550
	Lamp Body 120°: 10PCS	545x545x550
	Lamp Base: 1PC	325x245x370
Net Weight / Gross Weight (Kg) 10PCS		104.0/115.5

● Installation Manuel:



1



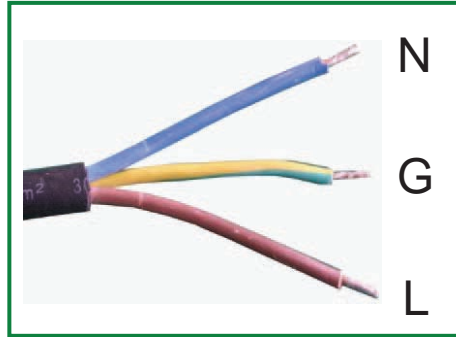
2



3



4



5

1. Install reflector on the heat sink, wrest fixed screws very tightly
2. Wrest hanger into top cap, wrest lock screw very tightly
3. Hang the lamp on the installation site, and screw down the non skid lock.
4. Hang chaining of steel wire on another installation device.
5. Connect Live Wire/Null Wire/Ground Wire to electric cable properly and switch on.

● Attentions:

1. Only professional electrician can install the lamp, please check the lamp very carefully before installation
2. Please install the lamp follow up the installation procedure, make sure the screw has been wrested very tightly, the wires have been connected properly. Please operate according to Product Instructions enclosed.