

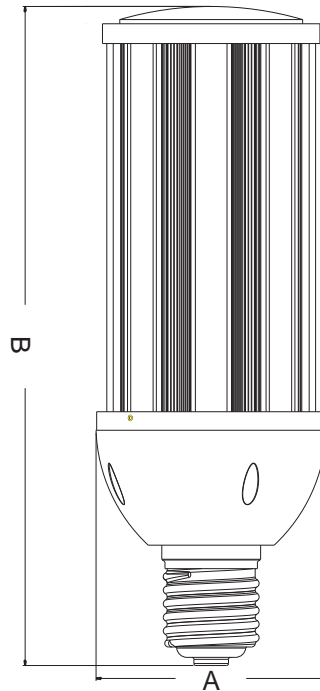
ENELTEC®

brighten your ideas

Indoor LED Corn Lights



EPISTAR



Model No.	Dimension (mm)	
	Diameter A	Height B
ENCL-15WE27-01	73	160
ENCL-15WE40-01	73	160
ENCL-20WE27-01	73	170
ENCL-20WE40-01	73	170
ENCL-30WE27-01	90	215
ENCL-30WE40-01	90	215
ENCL-40WE27-01	90	255
ENCL-40WE40-01	90	255
ENCL-60WE27-01	90	275
ENCL-60WE40-01	90	275
ENCL-80WE27-01	112	295
ENCL-80WE40-01	112	295
ENCL-100WE40-01	112	315
ENCL-120WE40-01	112	340

Specifications:

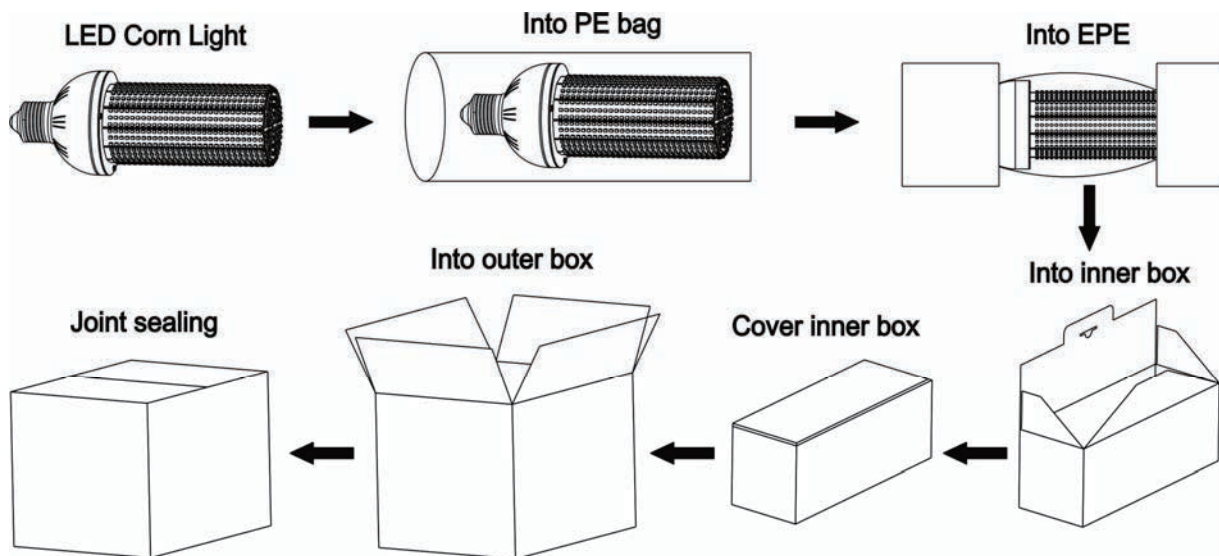
- Base: E26 / E27 / E39 / E40
- 360degree lighting, high CRI
- Internal driver, input voltage 85-300VAC
- No UV or IR in the beam
- Easy to install and operate
- Energy saving, long service life
- Light is soft and uniform, safe to eyes
- Instant start, NO flickering, NO humming
- Green and eco-friendly without mercury



Parameters:

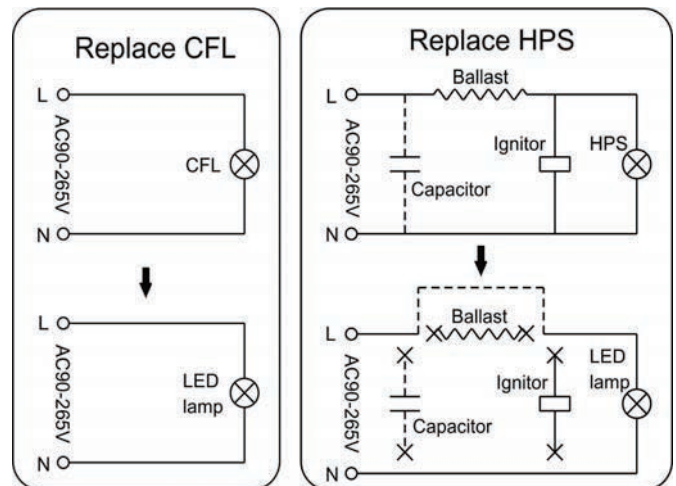
Model No.	ENCL-15WE27-01 ENCL-15WE40-01	ENCL-20WE27-01 ENCL-20WE40-01	ENCL-30WE27-01 ENCL-30WE40-01	ENCL-40WE27-01 ENCL-40WE40-01	ENCL-60WE27-01 ENCL-60WE40-01	ENCL-80WE27-01 ENCL-80WE40-01	ENCL-100WE40-01	ENCL-120WE40-01
Input Voltage	85-300VAC							
Frequency	50/60Hz							
Power Factor	0.9	0.9	0.9	0.9	0.9	0.9	0.9	0.9
Power (W)	15	20	30	40	60	80	100	120
LED	216pcs Epistar 3528	312pcs Epistar 3528	492pcs Epistar 3528	660pcs Epistar 3528	900pcs Epistar 3528	1120pcs Epistar 3528	1456pcs Epistar 3528	1792pcs Epistar 3528
Lumen (lm)	1500	2000	3250	4100	6000	7900	9800	11000
Equivalent	80W Incandescent/ 30W CFL	120W Incandescent/ 40W CFL	150W Incandescent/ 60W CFL	250W Incandescent/ 80W CFL	350W Incandescent/ 120W CFL	500W Incandescent/ 150W CFL	600W Incandescent/ 200W CFL	750W Incandescent/ 250W CFL
CRI	>80							
Beam Angle	360°							
Color Temperature	3000-3500K / 4000-4500K / 6000-6500K							
Operating Environment	-20°C TO 45°C, 20%-70% RH							
Storage Environment	-30°C TO 80°C, 10%-75% RH							
IP Level	IP20							
Housing	PC							
Housing Color	White							
Packing Dimension (mm)	24pcs 430x330x440	24pcs 430x330x440	12pcs 510x380x280	12pcs 510x380x310	12pcs 510x380x330	12pcs 510x380x350	12pcs 510x380x370	12pcs 530x400x380
Net Weight/ Gross Weight (Kg)	24pcs 3.6/7.0	24pcs 3.6/7.0	12pcs 4.8/7.6	12pcs 5.4/8.2	12pcs 6.0/8.8	12pcs 7.8/10.6	12pcs 8.4/11.4	12pcs 9.8/12.7

● Packing:



● Caution:

- Please turn off power before install or change assembly parts.
- The input voltage and lamps should be matched, after connecting the power line, please make sure the wiring section is insulated.
- Make sure to remove or bypass the electronic ballast in the fixtures before install the lamps.
- Please don't use the lamps in closed fixtures, for closed fixtures, we suggest using external drive for the lamps.
- No-professionals, must not install and disassemble the lamps.



● Trouble Shootings:

Troubles	Check points
Flickering of the lamps	Turn off the power and turn on again in 3 minutes. If same phenomena occur, then call agencies
Out of working	Please check the connection